



## RESIDENTIAL DECK & PATIO APPLICATION

Property Owner \_\_\_\_\_ Phone # \_\_\_\_\_

Address \_\_\_\_\_ E-Mail \_\_\_\_\_

Property Location \_\_\_\_\_ PA License # \_\_\_\_\_

Phone # \_\_\_\_\_

Contractor \_\_\_\_\_ E-Mail \_\_\_\_\_

Address \_\_\_\_\_

1. Size: \_\_\_\_\_ Max Length \_\_\_\_\_ Max Width \_\_\_\_\_ Max Height \_\_\_\_\_  
Total square feet of deck floor \_\_\_\_\_ (what is the greatest height from Floor of deck to ground surface)
2. Footing: Depth below grade (36" min.) \_\_\_\_\_ Diameter/Width (12" min.) \_\_\_\_\_
3. Support Post: Size \_\_\_\_\_ Spacing \_\_\_\_\_ Main Beam: Size \_\_\_\_\_
4. Guard Rail: Height from floor (36" min.) \_\_\_\_\_ Spacing between pickets \_\_\_\_\_ (4" max.)
5. Floor Joist: Size \_\_\_\_\_ Spacing \_\_\_\_\_ Max. Span \_\_\_\_\_
6. Stairway Specifications: Depth of Tread \_\_\_\_\_ Height of Riser \_\_\_\_\_
7. Stairway Handrail Specifications: (Stairway handrails must provide graspability)
  - a. Circular handrails: Outside Diameter \_\_\_\_\_ (1-1/4 min. 2" max.)
  - b. Non-circular handrails: Max Cross-section Dimension \_\_\_\_\_ (2-1/4" max.)  
(Handrails with a perimeter greater than 6 1/4" shall provide graspable finger recess area on both sides of the profile)
8. Submit a detail showing the type and location of the Lateral Support Brackets
9. Submit a detail showing how the deck joist is connected to the main beam and the main Beam to the support posts.
10. Band joist and deck ledger size, material, type connector, and spacing (ledger locks must be installed to manufacturer specifications)
11. Location on Lot: Using the graph on page two of this application, draw a plot plan showing the boundary of the property and location of all required features and structures listed.
12. Is there a hot tub? No \_\_\_\_\_ Yes, details below \_\_\_\_\_
  - a. Does the hot tub have a safety cover that complies with ASTM F 1346 No \_\_\_\_\_ Yes \_\_\_\_\_
13. A complete set of **detailed plans** must be submitted with this application.

\_\_\_\_\_  
Cost of Improvement

\_\_\_\_\_  
Application Date

\_\_\_\_\_  
Signature of Applicant

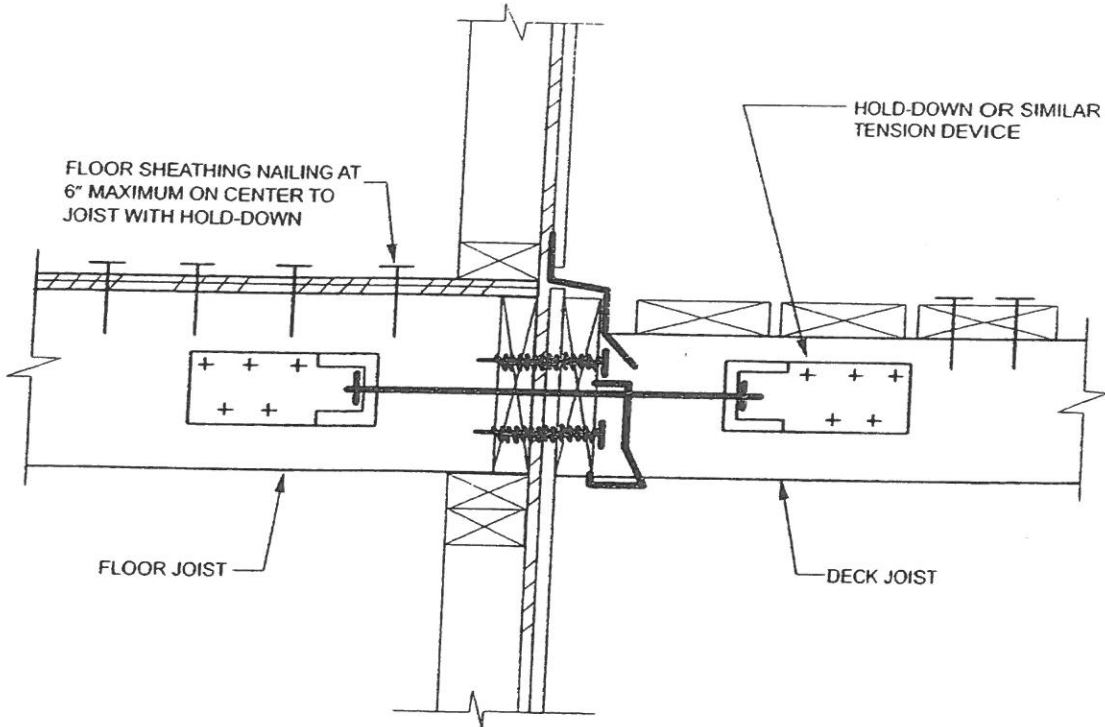
Note: Any applicant that is unable to provide the required detailed information and plans as stated above should contact an architect or other design professional for assistance.

### Location of Improvements

Submit a plot plan of the boundary of the property, to scale, showing the following improvements:

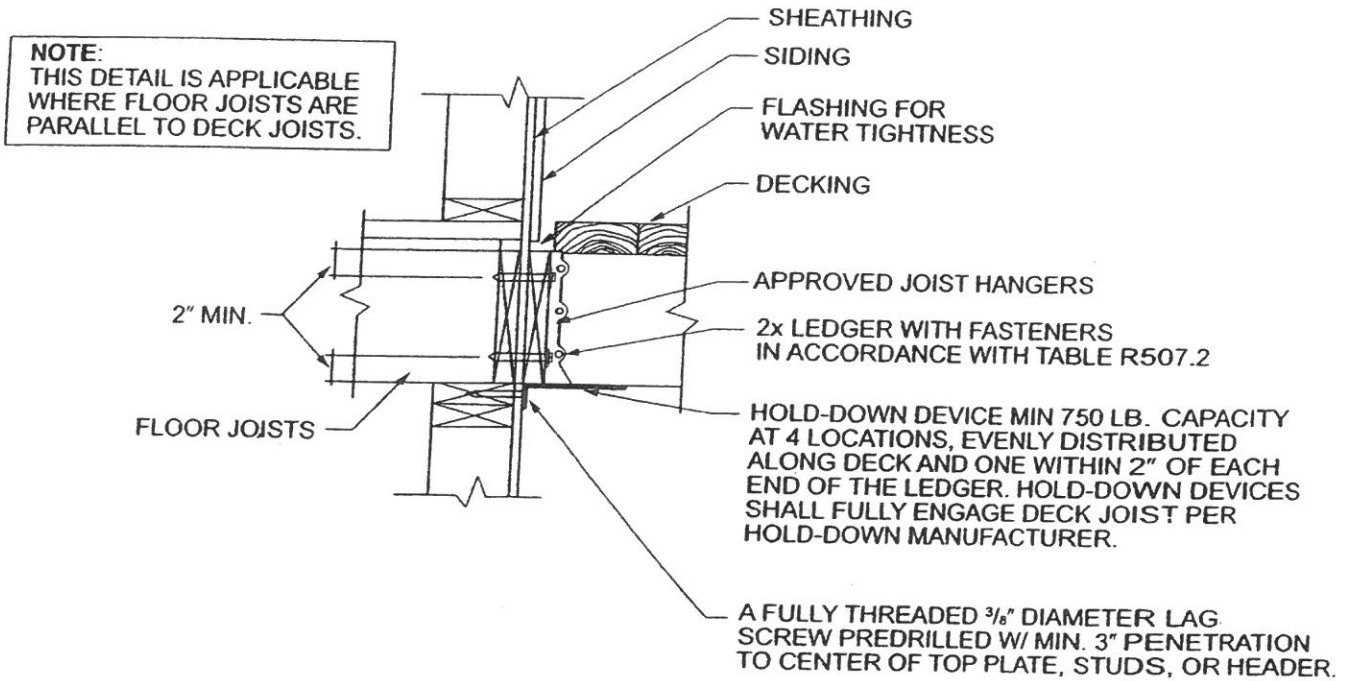
- a. Location of all existing and proposed structures and buildings.
- b. On-lot septic systems, tanks, drain fields and wells.
- c. All public and private roads that border the property including driveways, parking/loading areas, etc...
- d. All streams, ponds, etc...
- e. Any easment or right of ways.

A large grid for drawing a plot plan, consisting of 20 columns and 20 rows of squares.



For SI: 1 inch = 25.4 mm.

FIGURE 507.2.3(1)  
DECK ATTACHMENT FOR LATERAL LOADS



For SI: 1 inch = 25.4 mm, 1 foot = 304.8 mm.

FIGURE R507.2.3(2)  
DECK ATTACHMENT FOR LATERAL LOADS